

SOLAR.CARPORT

ECO AND COMFORT

PRODUCT OVERVIEW

THE MP-TEC SOLAR.CARPORT

The mp-tec SOLAR.CARPORT is an electricity-generating shelter for passenger cars and motorcycles. It combines high standard economic efficiency and functionality.

A new aspect in comparison with conventional carports is the fact that the SOLAR.CARPORT combines two products in one – a covered parking space and a traditional free-standing solar power system.



Modern high-performance modules and a few aluminum and stainless steel components from the DEKRA-certified QUICK.LINE mounting system are all that is needed to create a solar carport or a solar carport system. The premium, weather-resistant mounting system is easy and safe to assemble, as it is made up of only a few separate components. This results in significant logistics benefits and savings for the customer.

Due to their orientations, not every house roof is suitable for installation of solar modules. For instance, if a neighbouring building or a tree shades parts of the roof, this will lead to losses in the yield. A carport system offers an efficient alternative surface for installed solar modules and also creates added value for renters and owners.



The solar carport system provides added value with the installation of a charging station for electric vehicles.

BENEFITS AT A GLANCE

- An investment that pays off, since the carport itself earns back its acquisition costs
- Enjoy independence from rising energy costs
- Fulfills expectations both in terms of its appearance and practicality
- Freely configurable in size and function as well expandable on a custom basis
- Possibility of roofing large parking areas and providing extra added value with high-performance modules
- The easy to install and secure system offers full plug and play capabilities
- A durable, high-quality product which is permanently weather-resistant, since it is constructed from the ideal materials of aluminum and hot-dip galvanised steel
- A rain gutter can be attached
- Design can be customized with color anodizing (aluminum) or powder coating (steel) upon customer request
- Structural analysis calculations according to DIN 1055 with wind and snow load zone 2, e.g. applies to nearly all areas of Germany

SOLAR.CARPORT COMFORT

CARPORT VERSION STEEL

FLEXIBLE MODULE CHOICE

The carport is dimensioned in such a way that nearly any module can be installed. Therefore the customer can choose any module and any module orientation.

FLEXIBLE SIZE

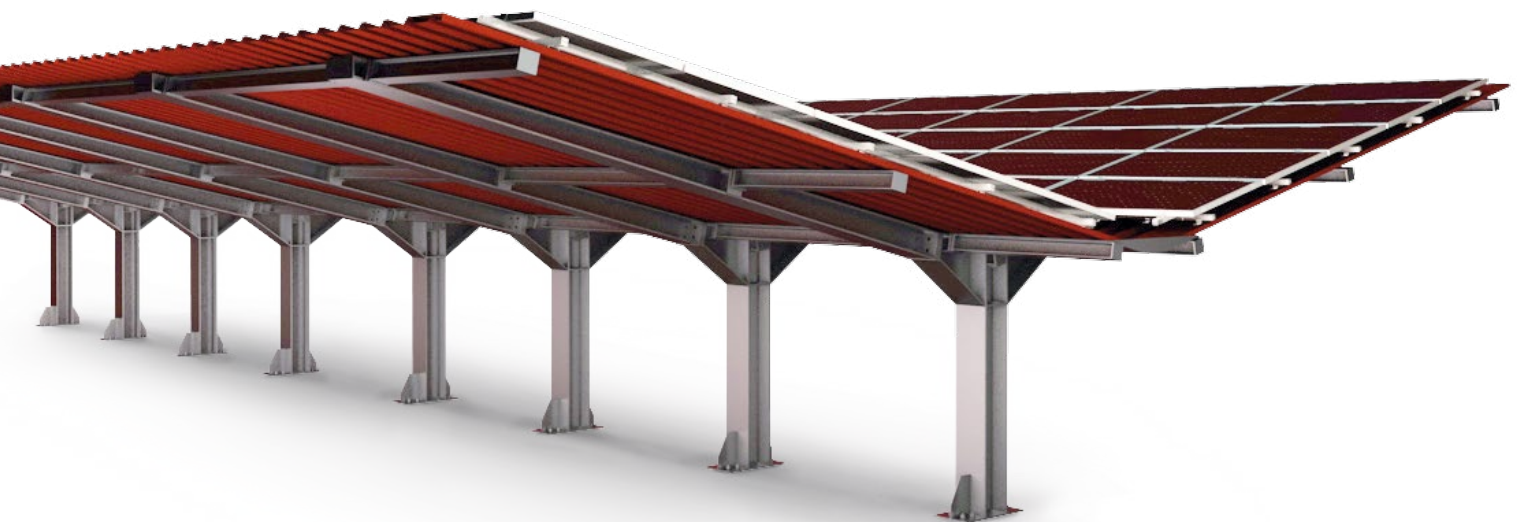
This carport version is available for two parking spaces and more. Practically it has no limits to its expandability. Thus it can be used to cover smaller areas for private households as well as considerably larger areas. Possible application areas are customer or employee parking spaces.

SPACE ENABLES SAFETY

The SOLAR.CARPORT COMFORT is a structurally and visually sophisticated solution, as it has no structural elements or other restrictions to the sides. In this version, the module platform is supported by cantilever legs, i.e. just one row of supports. Because there are no barriers on the sides of each individual parking space, doors can be opened safely.

CONSTANT QUALITY

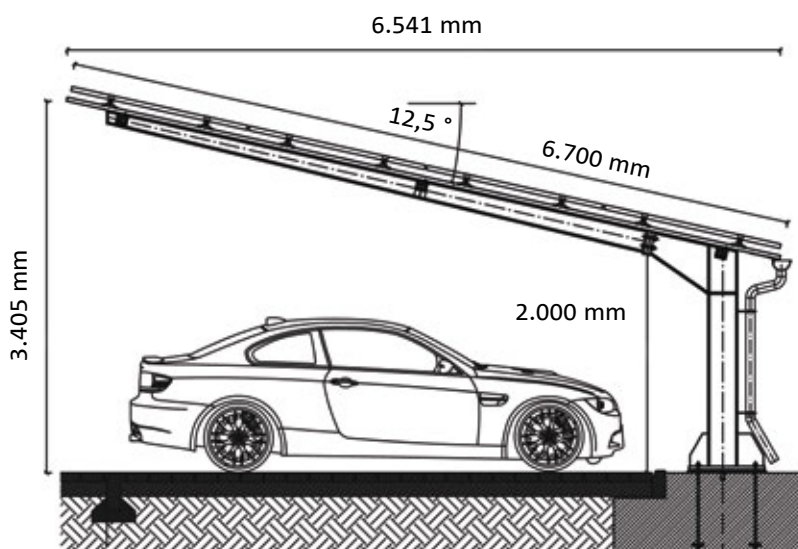
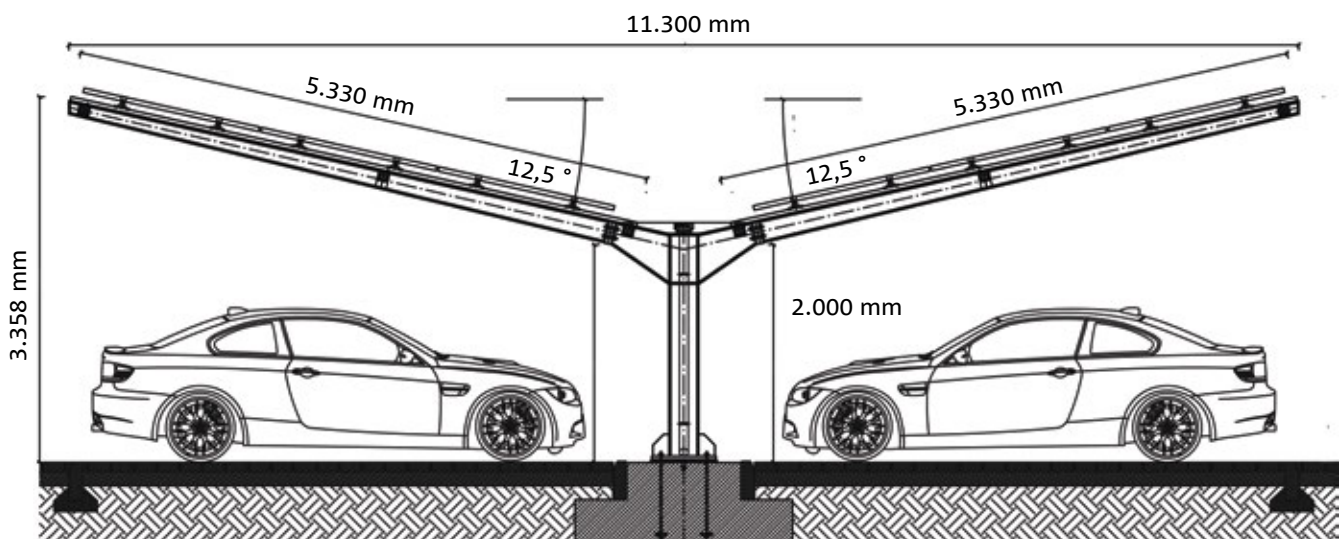
The durable basic structure is made of weather-resistant steel. So the steel carport is very easy to maintain, resistant to corrosion and lastingly stable.





MORE FEATURES

- Module substructure consists of the in-house "QUICK.LINE" mounting system
- Has a clearance height of 2.00 m as well as a clear and convenient entrance with a height of 3.10 m and a supporting width of 2.50 m
- The SOLAR.CARPORT COMFORT can be installed as a single-row and double-row version
- Stability due to block foundation
- *Optional: Charging stations for electrical vehicles can be installed*



MADE IN
GERMANY

PRODUCT GUARANTEE
10 YEARS

SOLAR.CARPORT ECO

CARPORT VERSION ALUMINUM

FLEXIBLE MODULE CHOICE

The carport is dimensioned in such a way that nearly any module can be installed. Therefore the customer can choose any module and any module orientation.

FLEXIBLE SIZE

This carport version is available for two parking spaces and more. Practically it has no limits to its expandability. Thus, it can be used to cover smaller areas for private households (single parking space) as well as considerably larger areas. Possible application areas are customer or employee parking spaces.

SAFE AND COMFORTABLE

It is supported by pillars which only restrict the carport at its sides, and is consequently accessible from both ends. A collision protector for each base connector prevents damage to the carport.

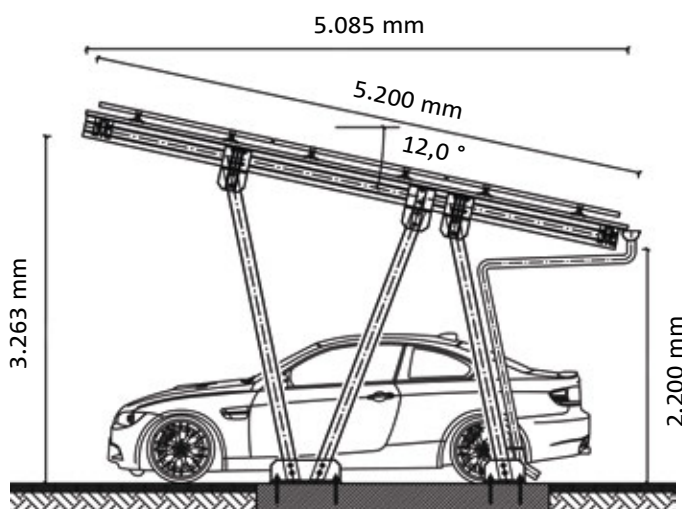
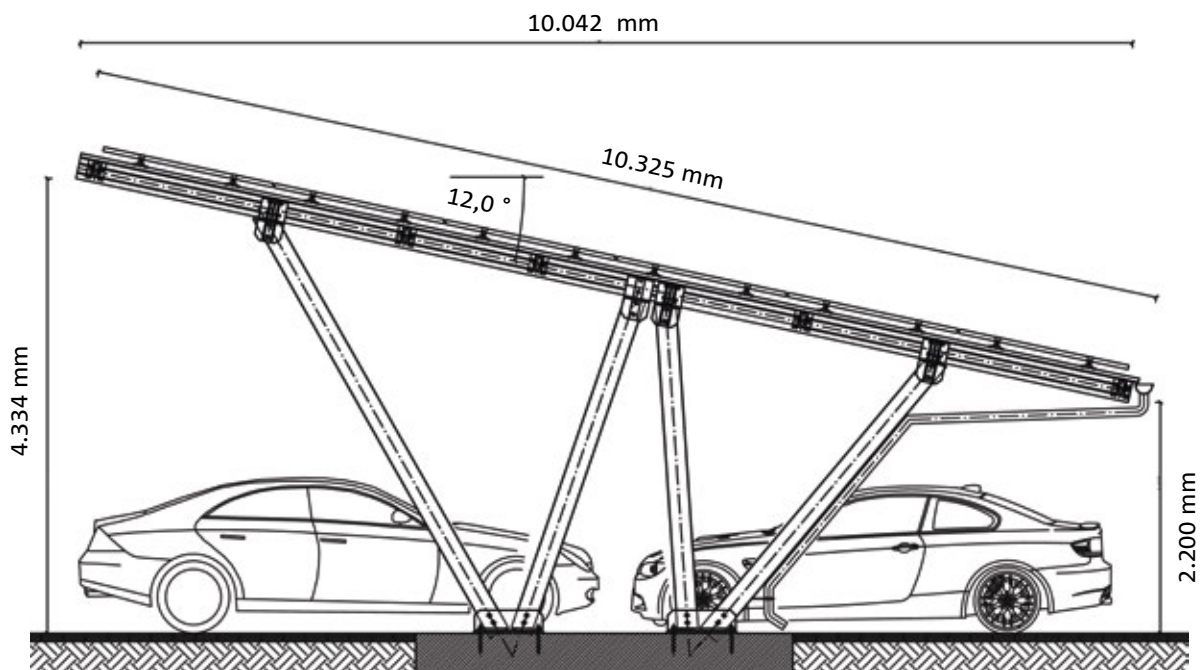
LIGHTWEIGHT BUT STABLE CONSTRUCTION

The durable basic structure is made of weather-resistant aluminum. Therefore this carport is also very easy to maintain, resistant to corrosion and lastingly stable.



MORE FEATURES

- Basic structure and module substructure are made from the easy-to-install aluminum mp-tec QUICK.LINE mounting system
- Stability due to strip foundation
- Has a supporting width of 5.00 m / 5.20 m and an overhead clearance of 2.20 m so that both sides can be used as an entrance
- *Optional: Charging stations for electrical vehicles can be installed*



MADE IN
GERMANY

PRODUCT GUARANTEE
10 YEARS

CONTACT

Copyright by mp-tec © 2015

Stand: 12/2015

mp-tec GmbH & Co. KG

Wilhelm-Conrad-Röntgen-Straße 10-12
16225 Eberswalde, Germany

Phone: +49 (0) 33 34 59 44 - 40

Fax: +49 (0) 33 34 59 44 - 45

sales@mp-tec.com

www.mp-tec.com

